



KOÇAK OTOMOTIV



Mercedes-Benz Sprinter Airmatic 316 CDI DizaynVip Erbakan Malkoç

Plate No : 34 BIF 014

Brand : Mercedes-Benz

Model : Sprinter 316 CDI

Gear Type : Manuel

Model Year : 2018

Engine Capacity : 2200

Condition : Used

Engine Output : 163 Ps

Km : 27.000

Colour : Metallic Black

Registered as : Mobile Office

Number of Seats : 2

Drive : RWD 4x2

Fuel : Diesel

EQUIPMENT

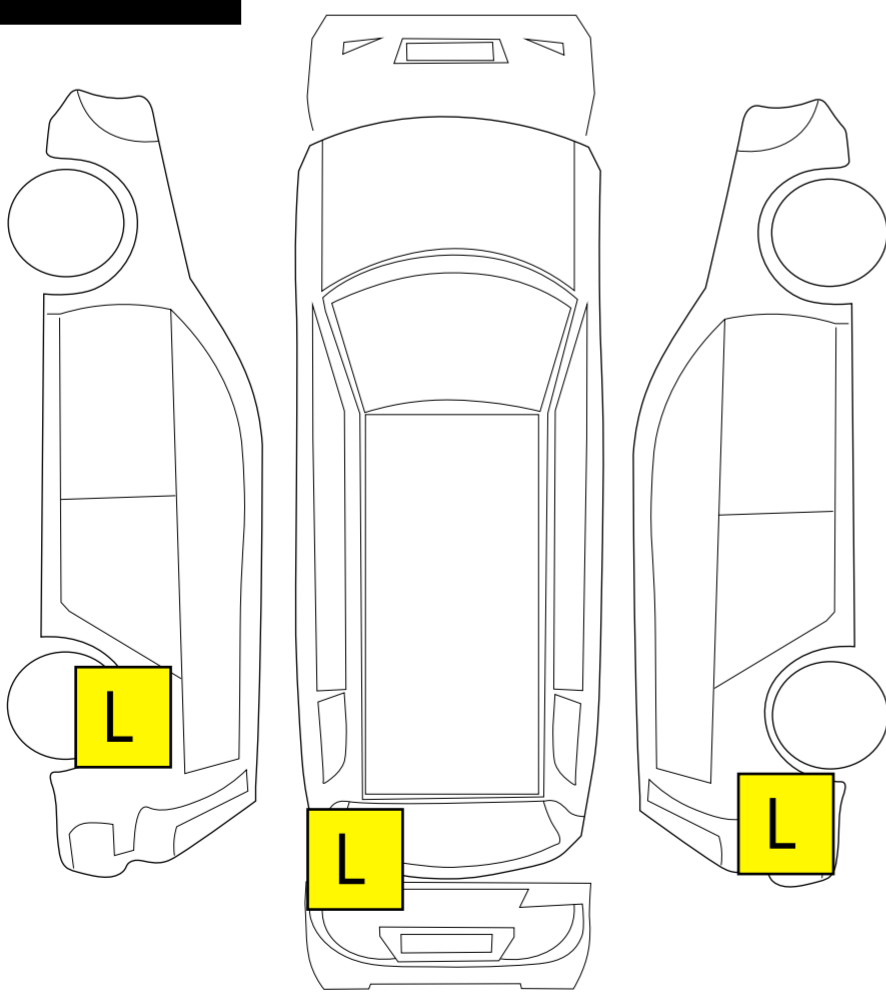
Tempatic Digital Dual Air Conditioning & Webasto Heating System
Airbag - ABS, ASR, SRS, EDL, Adaptive ESP
Electrically Adjustable and Heated Mirrors
10-Inch Touchscreen with MBUX Multimedia System
Carbon Leather-Wrapped Hydraulic Steering
Recaro Driver Seat with Suspension Feature
Wind Deflection Assistant
Electrically Heated Front Windshield
Halogen Headlights and E Series LED Daytime Lights
Tire Pressure Indicator
Cruise Control
Hill Start Assist (Hill Holder)
Immobilizer, Central Locking
Auto-Dimming Rearview Mirror, Automatic Windows
Automatic Sliding Door and Step
Serviced and Maintained

ADDITIONAL EQUIPMENT

Airmatic Suspension System (Lowering and Raising Suspension)
Voice Command System and Apple iPad Control System
S-Control Button, Genuine Linen Leather Upholstered Electric VIP Seats
Heated, Cooled, Massaging, and Footrest Equipped Electric VIP Seats
Alcantara Nubuck and Wood-Wrapped Ceiling Lighting
Custom Design Maybach Dimmable RGB Multi-Color Roof Lighting
Partition Wall, Elevator Type 43" TV and Two Integrated Monitor TVs
Carpet Floor Application
Alcantara Nubuck, Leather, and Wood-Wrapped Dashboard and Door Panels
Cinema and Music System
VGA, HDMI, USB, 220V Electric, and 12V Charging Panels
Electric VIP Seat Drawer Units
Nespresso Machine
Three Electric Folding Tables
Front and Rear Intercom System
Electronic Sliding Refrigerator and Trash Bin
Front and Rear Armrests and Cupholders
Right and Left Side Mass Minibar
Apple TV and Wireless Charging Units
Carbon Wood Trim Application
Business Hanger and Umbrella Holder
Chrome Edition Interior Details
WC, Sink, Toilet, and LED Lighting
WC Accessories
Clean Water Tank and Emptying Section
Electric Blinds and Colored Windows
Body Color Front and Rear AMG Bumpers
AMG Dual Exhaust and 16-Inch Mercedes-Benz Chrome Wheels

**Important Notice: Designed by DizaynVIP
Erbakan Malkoç at a cost of 120,000 Euros.**

INSPECTION REPORT



O Original R Repaint
L Local Repaint D Changed

Damage History:
None

CONTACT English Only

Hakan TOPALOĞLU Abdurrahman İMİR
+90551 895 74 19 - +90551 874 23 41

Göztepe Mah. İstoç Oto Ticaret Merkezi F Plaza
No:1 Mahmutbey Bağcılar - İstanbul

SOCIAL MEDIA



Koçak Otomotiv

Koçak Otomotiv - "At your service"